



Lexmark XC9235

Loaded with standard features, the 35-ppm, SRA3/12x18 Lexmark XC9235 supports demanding workloads through a powerful combination of printing, copying, scanning, faxing and optional finishing.

Part Number

32C0400

Print Technology

Color Laser

Function

Color Copying, Color Faxing, Color Printing, Color Scanning, Color Network Scanning

Workgroup Size

Large Workgroup

Touch Screen Display

Yes

Display

Lexmark e-Task 10-inch (25 cm) class color touch screen

Print Speed (Letter, Black)

Up to 35 ppm⁶

Print Speed (Letter, Color)

Up to 35 ppm⁶

Print Speed (Letter, Black) Duplex

Up to 35 spm⁶

Time to First Page (Black)

As fast as 7 seconds

Time to First Page (Color)

As fast as 8.3 seconds

Duplex (2-sided) Printing

Integrated Duplex

Print Resolution, Black

1200 x 1200 dpi, 2400 Image Quality

Print Resolution, Color

1200 x 1200 dpi, 2400 Image Quality

Copy Speed (Letter, Black)

Up to 35 cpm⁶

Copy Speed (Letter, Color)

Up to 35 cpm⁶

Time to First Copy (Black)

As fast as 6.6 seconds

Time to First Copy (Color)

As fast as 7.9 seconds

Reduce / Enlarge Range

25 - 400 %

A4/Ltr Simplex Scan Speed (Black)

Up to 80 / 80 sides per minute

A4/Ltr Simplex Scan Speed (Color)

Up to 80 / 80 sides per minute

A4/Ltr Duplex Scan Speed (Black)

Up to 160 / 160 sides per minute

A4/Ltr Duplex Scan Speed (Color)

Up to 160 / 160 sides per minute

Scan Area, Maximum

11.69 x 17.0 inches

ADF Scan

DADF (single pass Duplex)

Scanner Type

Flatbed scanner with ADF

Scan Technology

CCD

Optical Scanning Resolution

600 X 600 ppi

Scan File Formats (Send as)

JPEG, JPG, PDF, Secure PDF, TIFF, XPS, Archival PDF (A-1a, A-1b), Highly compressed PDF (1GB RAM and hard disk required), Searchable PDF

Scan Destinations

e-mail, FTP, USB Flash drive, USB or Network connected computer, Lexmark Document Solutions Suite (LDSS)

Modem Speed

ITU T.30, V.34 Half-Duplex, 33.6 Kbps

Fax Transmission Speed

< 3 seconds per page

Processor Speed

Quad Core 1.2 GHz

Memory, Standard

2048 MB

Memory, Maximum

4096 MB

Hard Disk

Included in configuration

Apple Operating Systems Supported

Apple OS X (10.6, 10.7, 10.8, 10.9, 10.10, 10.11)

Citrix MetaFrame

Microsoft Windows Server 2008 and 2008 X64 Edition with Citrix XenApp 5.0, Microsoft Windows Server 2008 R2 with Citrix XenApp 6.0, 6.5, Microsoft Windows Server 2012 with Citrix XenApp 6.0, 6.5

Linux Operating Systems Supported

Debian GNU/Linux 7.0, 8.0, Fedora 21, 22, Linpus Linux Lite Desktop 2.1, Linux Mint 13 LTS, 17 LTS, 17.1 LTS, 17.2 LTS, Linux Mint 2 Debian, PCLinuxOS 2014.12, Red Hat Enterprise Linux WS 4, 5, 6, 7, SUSE Linux Enterprise Desktop 10, 11, 12, SUSE Linux Enterprise Server 10, 11, 12, Ubuntu 12.04 LTS, 14.04 LTS, 15.04, openSUSE 13.1, 13.2, openSUSE Tumbleweed

Microsoft Windows Operating Systems Supported

Windows XP, Windows XP x64, Windows Vista, Windows Vista x64, Windows Server 2008, Windows Server 2008 x64, Windows 7, Windows 7 x64, Windows Server 2008 R2, Windows 8, Windows 8 x64, Windows Server 2012, Windows 8.1, Windows 8.1 x64, Windows Server 2012 R2, Windows RT, Windows RT 8.1, Windows 10

Novell Operating Systems Supported

Novell Open Enterprise Server on SuSE Linux Enterprise Server 10 SP4 (x86 and x64), Novell Open Enterprise Server on SuSE Linux Enterprise Server 11 SP4 (x86 and x64), Novell Open Enterprise Server on SuSE Linux Enterprise Server 12 SP1 (x86 and x64)

UNIX Operating Systems Supported

Sun Solaris x86 10, 11, IBM AIX 5.3, 6.1, 7.1, Sun Solaris SPARC 10, 11

Included Paper Handling

Integrated Duplex, 250-Sheet Output Bin, 150-Sheet Multipurpose Feeder, 2 x 500-Sheet Input

Optional Paper Handling

Staple Finisher, Staple Punch Finisher, 2500-Sheet Tandem Tray, 3000-Sheet Tray, Booklet Finisher, 2 x 500-Sheet Tray

Paper Input Capacity, Standard

Up to 1150 pages 20 lb or 75 gsm bond

Paper Input Capacity, Maximum

Up to 6650 pages 20 lb or 75 gsm bond

Paper Output Capacity, Standard

Up to 250 pages 20 lb or 75 gsm bond

Paper Output Capacity, Maximum

Up to 3500 pages 20 lb or 75 gsm bond

Paper Weight Range Supported - Standard Tray (lb.)

16 - 47 lb.

Paper Weight Range Supported - Multipurpose Feeder (lb.)

16 - 47 lb.

A3 / 11 x 17

Yes

ADF

100-Sheet Automatic Document Feeder

ADF Paper Input Capacity

Up to 100 pages 20 lb or 75 gsm bond

ADF Paper Output Capacity

Up to 100 pages 20 lb or 75 gsm bond

Finishing Option

Yes

Finishing Functions

Offset stacking, Stapling, Hole punching, Booklet fold and saddle stapling

Number of Paper Inputs, Standard

3

Number of Paper Inputs, Maximum

6

Media Types Supported

Card Stock, Envelopes, Labels, Plain Paper, Refer to the Card Stock & Label Guide., Banner Paper

Media Sizes Supported

10 Envelope, 7 3/4 Envelope, 9 Envelope, A3, A4, A5, B5 Envelope, C5 Envelope, DL Envelope, Executive, Folio, JIS-B5, Legal, Letter, Statement, Universal, Super Tabloid (12 x 18"), Oficio, A6, SRA3

Standard Ports

One Internal Card Slot, USB 2.0 Specification Hi-Speed Certified (Type B), Gigabit Ethernet (10/100/1000), Two Rear USB 2.0 Specification Hi-Speed Certified ports (Type A), Two Front USB 2.0 Specification Hi-Speed Certified port (Type A)

Optional Local Ports

External RS-232C serial, Internal 1284-B Bidirectional Parallel

Optional Network Ports

Internal MarkNet N8360 802.11b/g/n Wireless, NFC, MarkNet N8230 Fiber Ethernet Print Server

Direct USB

Yes

Ethernet Network

Yes

Wireless

Wireless Option

Network Protocol Support

TCP/IP IPv4, TCP/IP IPv6, TCP, UDP

Network Printing Methods

LPR/LPD, Direct IP (Port 9100), Enhanced IP (Port 9400), Secure IP (Port 96xx), FTP, TFTP, ThinPrint .print integration, Telnet, IPP 1.0, 1.1, 2.0 (Internet Printing Protocol), Microsoft Web Services WSD, Pull Printing

Network Management Protocols¹

HTTP, HTTPs (SSL/TLS), SNMPv1, SNMPv2c, SNMPv3, WINS, IGMP, BOOTP, RARP, APIPA (AutoIP), DHCP, ICMP, DNS, Bonjour, DDNS, mDNS, ARP, NTP, Telnet, Finger,

Network Security

SNMPv3, 802.1x Authentication: MD5, MSCHAPv2, LEAP, PEAP, TLS, TTLS, IPsec

Printable Area

0.165, 0.118, 0.118, 0.118 inches of the top, bottom, right and left edges (within)

Printer Languages (Standard)

PCL 5c Emulation, PCL 6 Emulation, Personal Printer Data Stream (PPDS), PostScript 3 Emulation, Direct Image, Microsoft XPS (XML Paper Specification), AirPrint™, PDF 1.7 emulation

Fonts and Symbol Sets

3 of 9 scalable PCL 5e fonts in Narrow, Regular and Wide, 2 PCL bitmap fonts, 39 scalable PPDS fonts, 84 scalable PCL fonts, OCR-A, OCR-B scalable PCL 5e fonts, For more information, refer to the Technical Reference., 165 scalable PostScript fonts, 15 PPDS bitmap fonts

Laser Cartridge Yields (up to)⁵

, 30,000-page Black and Colour (CMYK) Cartridges

Photoconductor Estimated Yield

Up to 100000 Black / 90000 (CMY) pages, based on 3 average letter/A4-size pages per print job and ~ 5% coverage⁴

Cartridge(s) Shipping with Product

6,000-page Colour (CMY) Toner Cartridges, 5,000-page Black Toner Cartridge

Replacement Cartridges:

Product functions only with replacement cartridges designed for use in a specific geographical region. See www.lexmark.com/ regions for more details.

Packaged Size (in. - H x W x D)

41.6 x 29.8 x 35.9 in.

Packaged Weight (lb.)

293 lb.

Size (in. - H x W x D)

36.3 x 24.2 x 27.4 in.

Weight (lb.)

239.2 lb.

Size, Trays Extended (in. - H x W x D)

51.44 x 37.5 x 49.07 in.

Noise Level, Idle

25 dBA

Noise Level (Print), Operating

51 dBA

Duplex Print Noise Level, Operating

53 dBA

Noise Level (Copy), Operating

55 dBA

Noise Level (Scan), Operating

53 dBA

ENERGY STAR

Yes

Average Power (Hibernate Mode)

0.2 watts

Average Power (Sleep Mode)

2.9 watts

Average Power (Ready Mode)

220 watts

Average Power (Printing)

675 watts

Average Power (Copying)

700 watts

Average Power (Scanning)

230 watts

ENERGY STAR Typical Electricity Consumption (TEC)

2.3 kilowatt-hours per week

Limited Warranty - See Statement of Limited Warranty

1-Year Onsite Service, Next Business Day

Product Certifications

ENERGY STAR, ICES-003 Class A, BSMI Class A, VCCI Class A, FCC Class A, NOM-032, UL, cUL, NOM, US FDA/CDRH, IEC 60825-1, CB Report, ISO-532B, CE (EU) DoC, EFTA (CE), KC logo, CCC, C-tick DoC, EuP, CECP, CEL, EC 1275/2008, ECMA-370, TED, SII, TER, SABS, UL-AR, GS Mark, Green Dot, ISO-9296, COC, CCD-035 EcoLogo, Green Mark, EPEAT, Blue Angel (Blauer Engel)

Maximum Monthly Duty Cycle

Up to 200000 pages per month³

Recommended Monthly Page Volume

4000 - 20000 pages²

Specified Operating Environment

Altitude: 0 - 2500 Meters (8,200 Feet), Humidity: 15 to 85% Relative Humidity, Temperature: 10 to 30°C (50 to 86°F)

License/Agreement Terms

Printers are sold subject to certain license/ agreement conditions. See www.lexmark.com/ printerlicense for details.

Country of Origin

China (PRC)

UNSPSC Code

43212110

Harmonized Tariff Code

8443.31.0000

Developer Unit(s) Estimated Yield

Up to 600000 pages, based on 3 average letter/ A4-size pages per print job and ~ 5% coverage

¹This product includes software developed by the OpenSSL Project for use in the OpenSSL Toolkit. (<http://www.openssl.org/>)

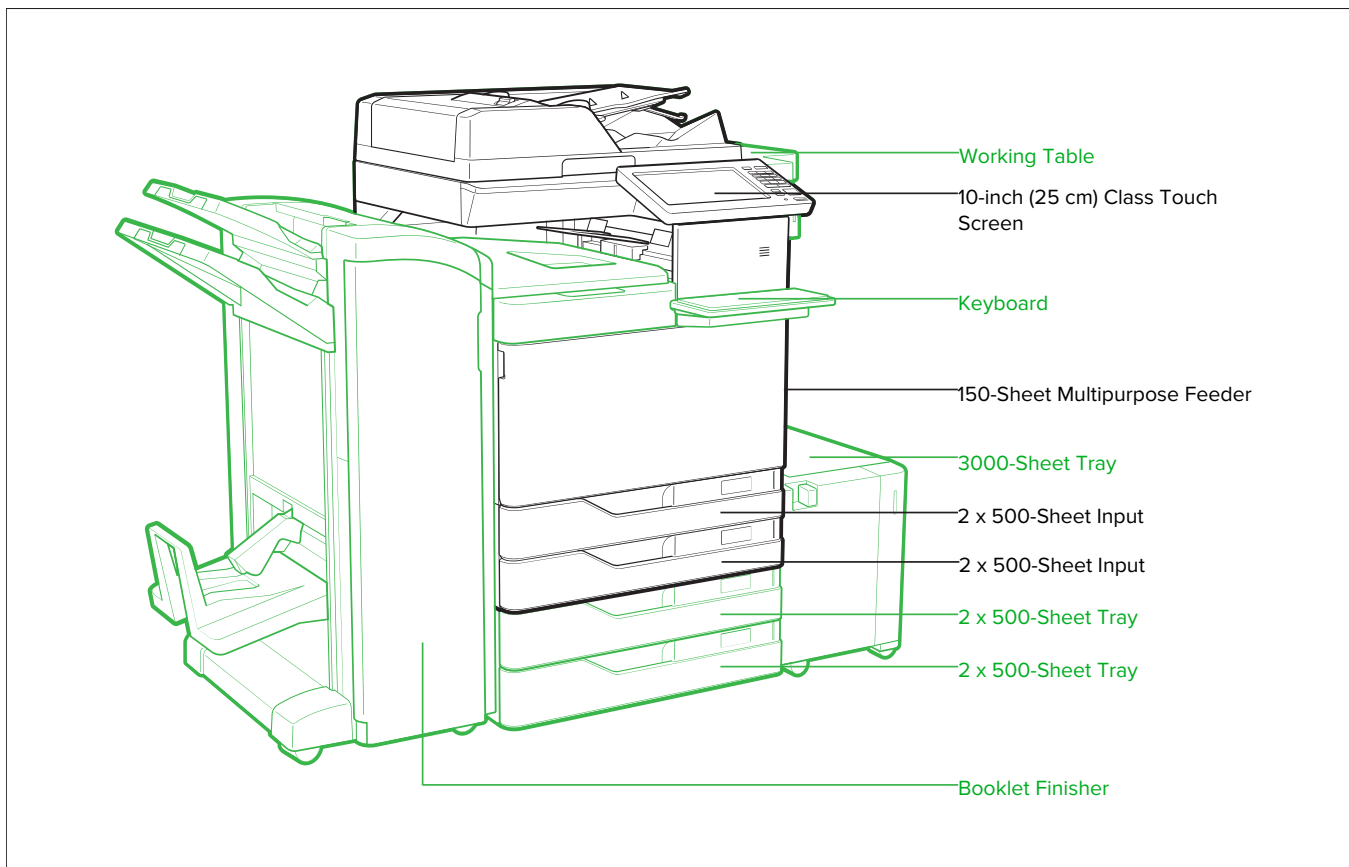
²"Recommended Monthly Page Volume" is a range of pages that helps customers evaluate Lexmark's product offerings based on the average number of pages customers plan to print on the device each month. Lexmark recommends that the number of pages per month be within the stated range for optimum device performance, based on factors including: supplies replacement intervals, paper loading intervals, speed, and typical customer usage.

³"Maximum Monthly Duty Cycle" is defined as the maximum number of pages a device could deliver in a month using a multishift operation. This metric provides a comparison of robustness in relation to other Lexmark printers and MFPs.

⁴Actual Yield may vary based on other factors such as device speed, paper size and feed orientation, toner coverage, tray source, percentage of black-only printing and average print job complexity.

⁵Average yield at approximately 5% print coverage per colour.

⁶Print and copy speeds measured in accordance with ISO/ IEC 24734 and ISO/IEC 24735 respectively (ESAT). For more information see: www.lexmark.com/ISOspeeds.



P/N Toner Cartridges

76C0PK0	CS/X92x Series, C/XC 9200 Series Black Photoconductor Unit
76C0PV0	CS/X92x, C/XC 9200 Series CMY Photoconductor Unit
25A0013	Staple Cartridges (3 pack)
54G0W00	Waste Toner Bottle

P/N Paper Handling

32C0050	CS92x, CX92x de 2 x 500-Sheet Tray
32C0051	CS92x, CX92x de 2500-Sheet Tandem Tray (Letter)
26Z0089	3000-Sheet Tray (A4)
26Z0083	MS911, MX91x Booklet Finisher (3-Hole)
26Z0081	MS911, MX91x Staple Punch Finisher (3-Hole)
26Z0084	MS911, MX910, MX911 Inline Stapler
26Z0088	3000-Sheet Tray
26Z0091	MS911, MX91x Banner Media Tray
26Z0082	CS92x, CX92x, MS911, MX91x Booklet Finisher (4-Hole)
26Z0080	CS92x, CX92x, MS911, MX91x Staple Punch Finisher (4-Hole)

P/N Furniture

32C0053	Cabinet with casters
26Z0090	Working Shelf

P/N Memory Options

27X0400	500+ GB Hard Disk
57X9020	2GB x32 DDR3 RAM
57X9812	Simplified Chinese Font Card
57X9101	256MB Flash Memory Card
57X9114	Korean Font Card
57X9115	Japanese Font Card

P/N Application Solutions

40C9201	Card for IPDS
40C9200	Forms and Bar Code Card
40C9202	Card for PRESCRIBE Emulation
57X0085	Lexmark Secure Element

P/N Connectivity

27X0142	Lexmark MarkNet™ N8230 Fiber Ethernet Print Server
57X7050	English Keyboard Kit
27X6510	MarkNet N8370 802.11 a/b/g/n/ac Wireless Print Server
1021231	Parallel Cable (10-foot)
1021294	USB Cable (2-meter)
14F0100	RS-232C Serial Interface Card
14F0000	Parallel 1284-B Interface Card
SPD0001	Surge Protective Device, 110-120V

P/N Service Parts

41X1593	Image Transfer Kit
---------	--------------------